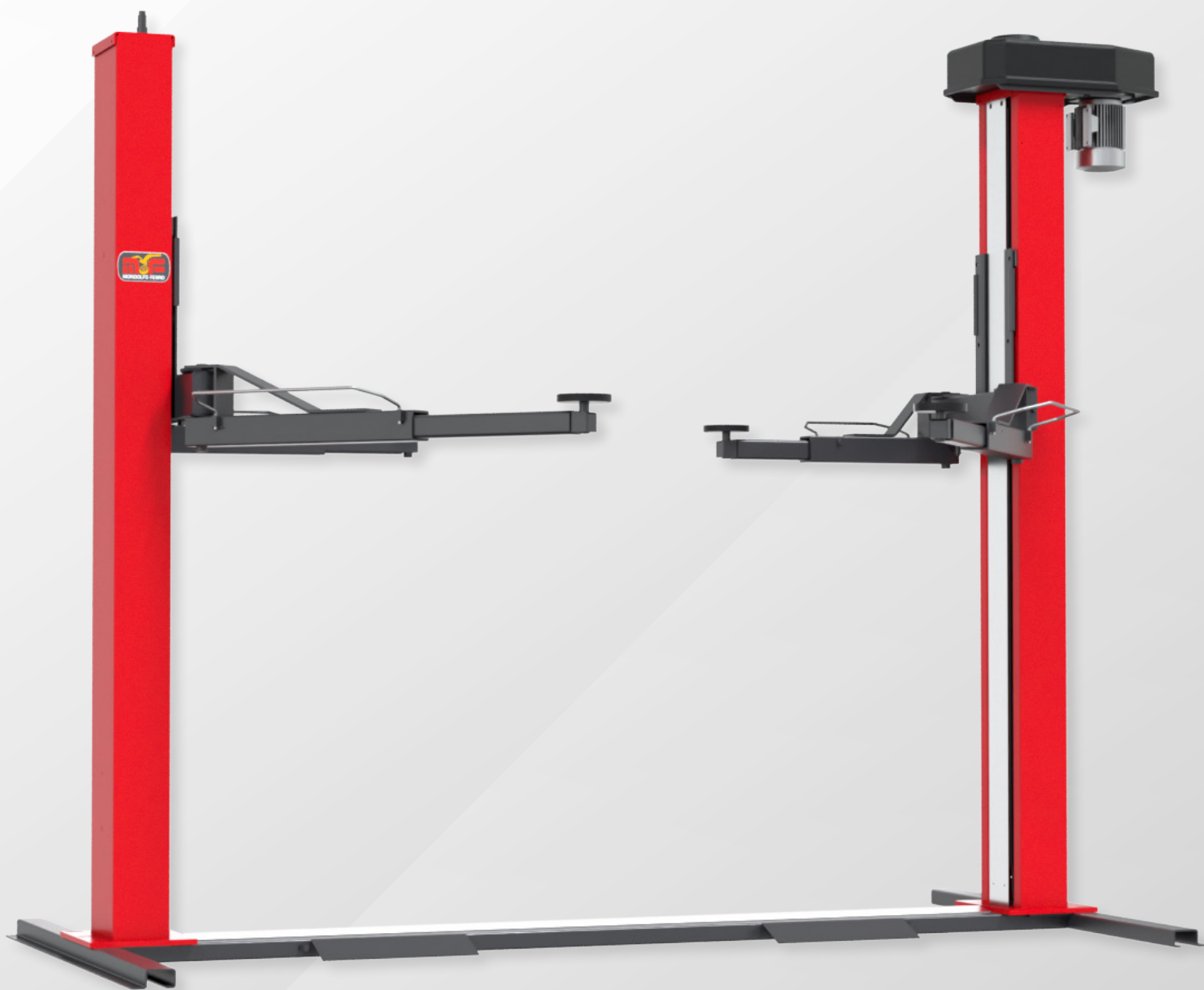


LOW-PROFILE ELECTRO-MECHANICAL LIFT WITH BASE FRAME



3000



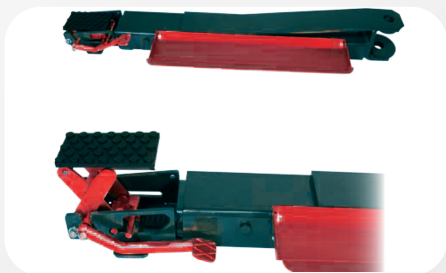
TECHNICAL DATA

Max capacity	3000 kg
Electric motor power	3,6 kW
Power supply	230/400 V - 3Ph - 50/60 Hz

TECHNICAL CHARACTERISTICS

- Columns: high rigidity
- Carriages: on plastic guides
- Arms: interchangeables
- Chain: double guide
- Basement: demountable
- Limit switches: protected
- Female-screw wear control
- Automatic control of: chain, carriages, arms, columns adjustment legs

ACCESSORIES ON REQUEST

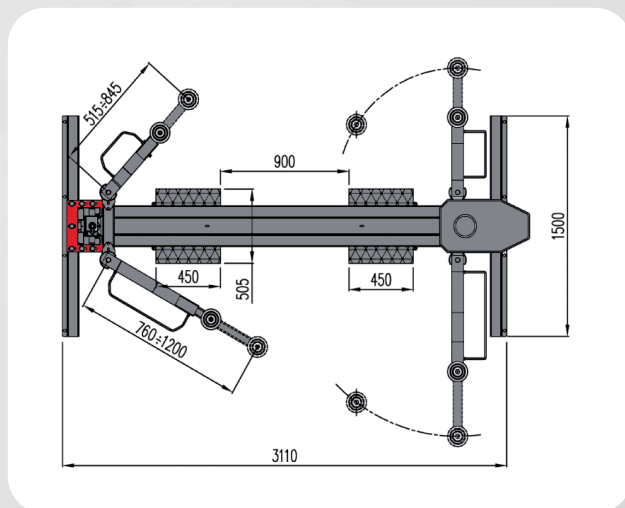
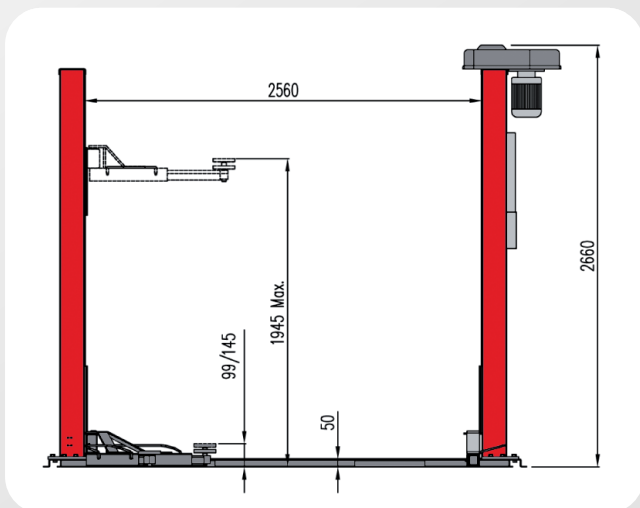


8-43100165
Set of 4 scissor pads

8-43100153
Pad extension set
(4 pieces) h=150 mm

8-43100154
Pad extension set
(4 pieces) h=200 mm

DIMENSIONS



*For more information, please consult the accessories catalogue.